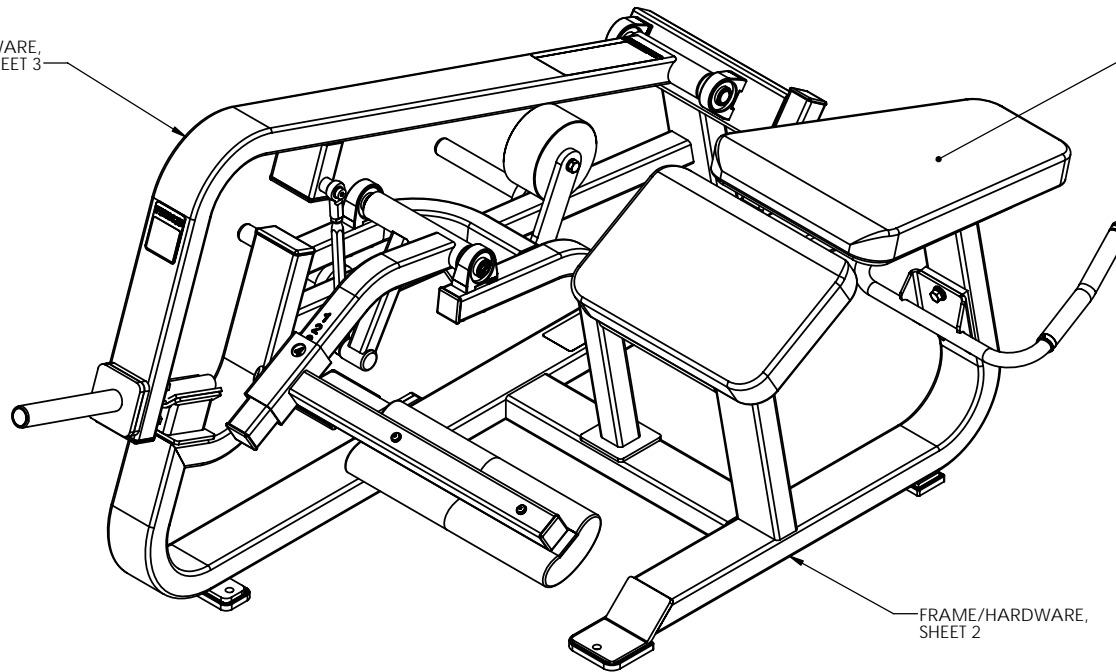


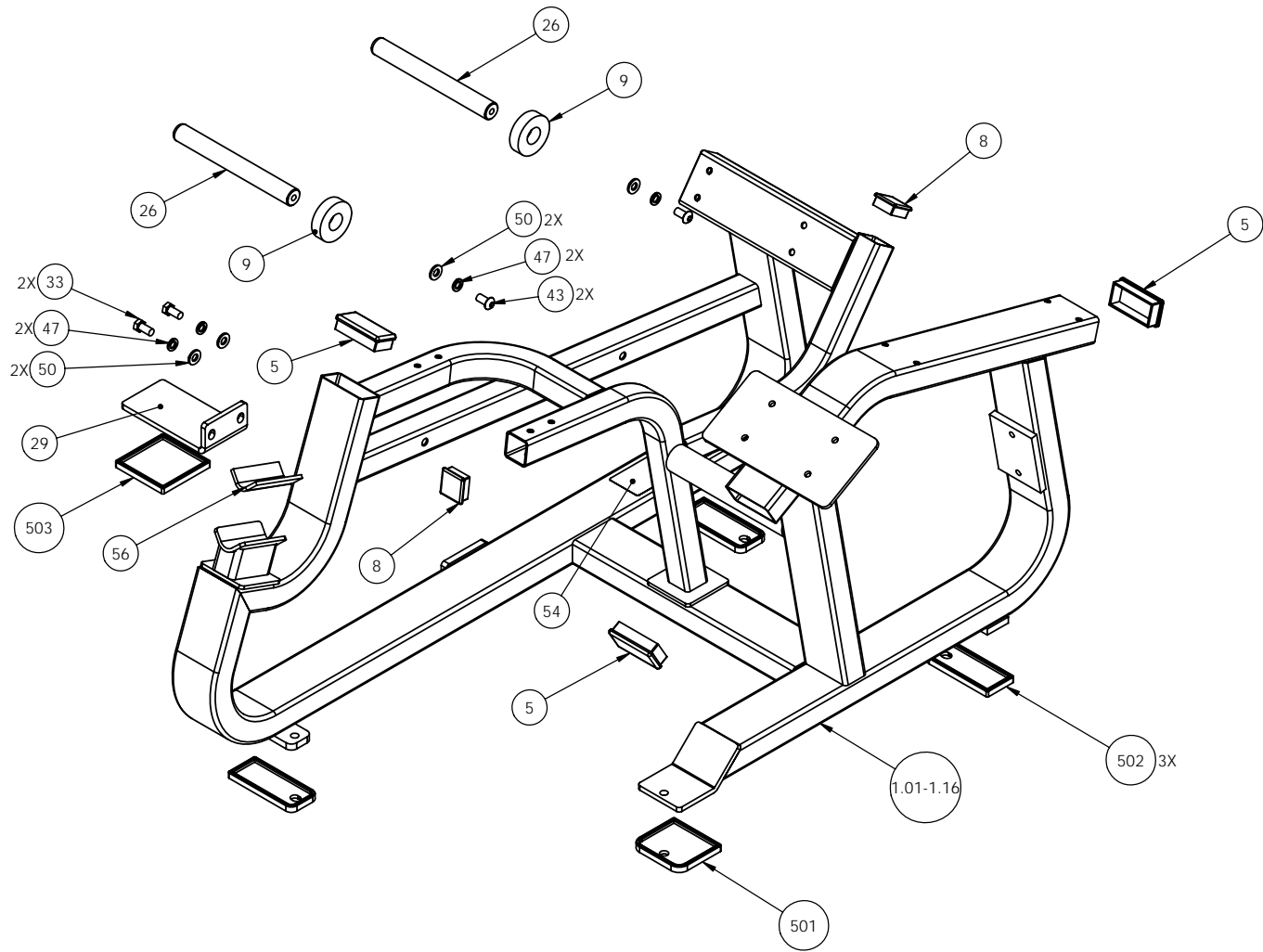
WEIGHT ARM/HARDWARE,
SHEET 3



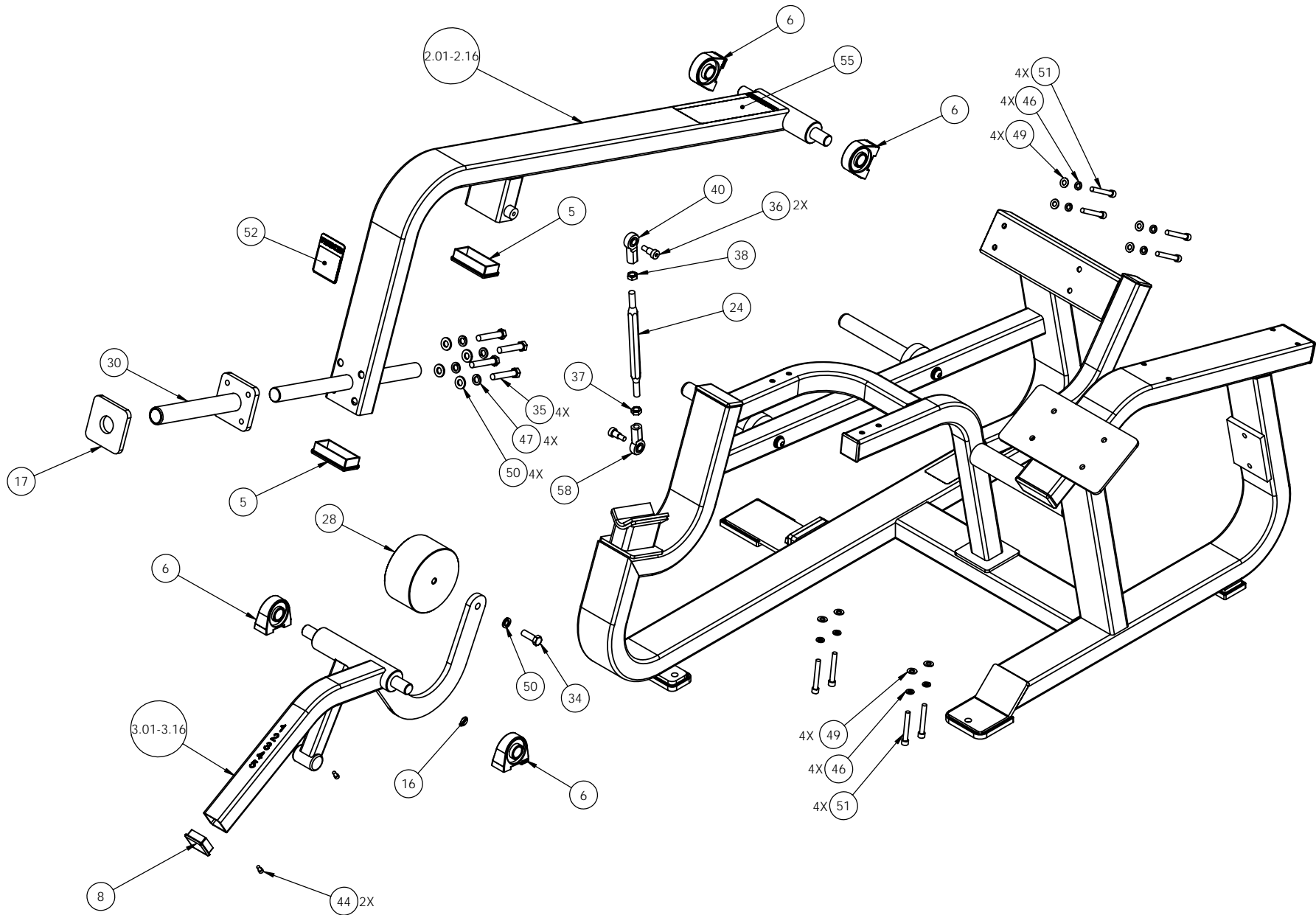
PADS/HARDWARE,
SHEET 4

FRAME/HARDWARE,
SHEET 2

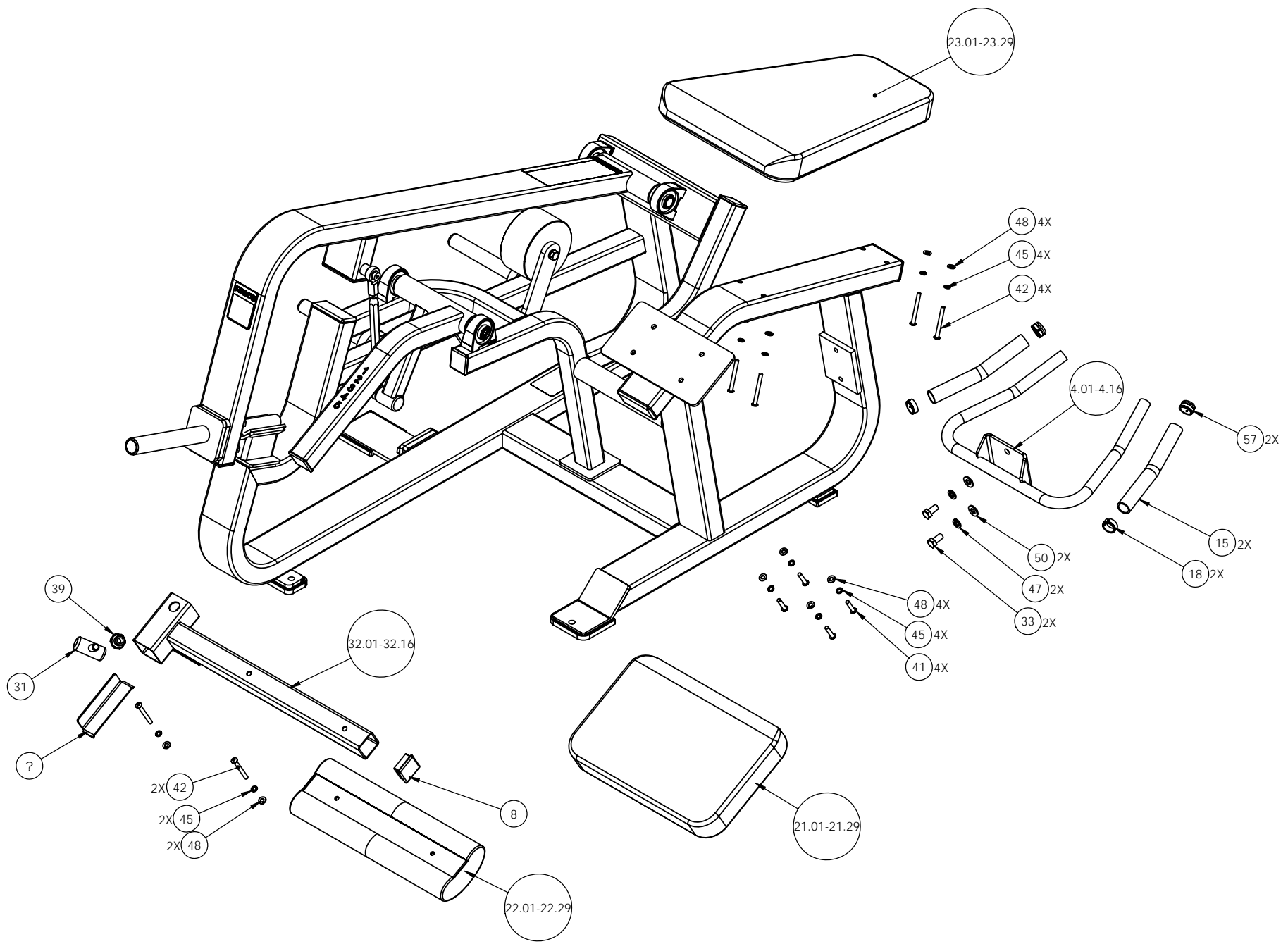
FLT561	P/N : CW31676-101	SUBREV : B
DRAWN BY : CT	DATE : 02.22.06	SHEET 1 OF 4



FLT561	P/N : CW31676-101	SUBREV : B
DRAWN BY : CT	DATE : 02.22.06	SHEET 2 OF 4



FLT561	P/N : CW31676-101	SUBREV : B
DRAWN BY : CT	DATE : 02.22.06	SHEET 3 OF 4



FLT561	P/N : CW31676-101	SUBREV : B
DRAWN BY : CT	DATE : 02.22.06	SHEET 4 OF 4

561 Flite Leg Curl

Part Number	Description	Bubble Number
CW561SA1-211	ASSY,FRAME,MAIN,FLT561,SKY WHITE	1.01
CW561SA1-311	ASSY,FRAME,MAIN,FLT561,STONE HG	1.11
CW561SA1-321	ASSY,FRAME,MAIN,FLT561,TITANIUM HG	1.12
CW561SA2-211	ASSY,WEIGHT ARM,FLT561,SKY WHITE	2.01
CW561SA2-311	ASSY,WEIGHT ARM,FLT561,STONE HG	2.11
CW561SA2-321	ASSY,WEIGHT ARM,FLT561,TITANIUM HG	2.12
CW561SA3-211	ASSY,LEG ARM,FLT561,SKY WHITE	3.01
CW561SA3-311	ASSY,LEG ARM,FLT561,STONE HG	3.11
CW561SA3-321	ASSY,LEG ARM,FLT561,TITANIUM HG	3.12
CW561SA4-211	ASSY,HANDLE ,FLT561,SKY WHITE	4.01
CW561SA4-311	ASSY,HANDLE ,FLT561,STONE HG	4.11
CW561SA4-321	ASSY,HANDLE ,FLT561,TITANIUM HG	4.12
CW11311-102	ENDCAP, REC TUBE, 2X4, BLK PLASTIC	5
CW30074-101	LABEL,INSTRUCTION,FLT561	5
CW12406-101	PILLOW BLOCK, BEARING, 2 BOLT	6
CW11311-102	ENDCAP, REC TUBE, 2X4, BLK PLASTIC	7
CW11311-103	ENDCAP, REC TUBE, 2X2, BLK PLASTIC	8
CW34822-101	LABEL, "ASSEMBLED IN THE USA"	10
CW11311-103	ENDCAP, REC TUBE, 2X2, BLK PLASTIC	11
CWAC1170-101	LABEL, "FLITE", 1 3/4 X 6 1/4	11
CWAC1171-101	LABEL, "FLITE", 3 1/2 X 12 3/4	12
CWAC1183-101	LABEL, WARNING, SERIOUS INJURY	13
CWGR4610-000	GRIP, RUBBER, 1.00" OD HANDLE, 10.0	15
CWAC1232-101	LABEL, ROUND, "PIVOT"	16
CWCP1033-101	CUT PIECE, CREPE, 7/16 X 4 X 4, 1 H	17
CWAC219-902	HNDL RETAINER RNG, W/SS,1.040" I.D.	18
CWPD1137B-101	PAD,12X18,4HOLES,W/BP,BLACK	21.01
CWPD1141J-101	PAD,4X19,2HOLES,W/BP,BLACK, W/SLIP	22.01
CWPD1143B-101	PAD,9X17X23-15/16,4HLS,W/BP,BLACK	23.01
CWPF1136-731	LINK ARM, 11", W/ THRD ENDS, 712, B	24
CWPF1553-901	ANGLE,STAINLESS STEEL, 1/8 X 1 1/2	25
CWPF1725-741	BAR,STEEL RND, DIA 1 1/4" X (11), 1	26
CWPF3450-721	BAR, RND, DIA 6" X 3, 1 HOLE TAPPE	28
CW33286-731	WELDMENT, STABILITY FOOT,BLACK ZINC	29
CWSA1122-741	ASSY,WEIGHT,HOLDER,1.5 X 10.5,CLEAR	30
CWSA1610-731	WELDMENT, T-HANDLE ADJUSTER, BLACK	31
CWSA1611-211	ASSY,LEG ADJUSTMENT,SKY WHITE	32.01
CWSA1611-221	ASSY,LEG ADJUSTMENT,BLACK	32.02
CWSA1611-231	ASSY,LEG ADJUSTMENT,RED	32.03
CWSA1611-241	ASSY,LEG ADJUSTMENT,PLAT SPKLE	32.04
CWSA1611-251	ASSY,LEG ADJUSTMENT,SILVER	32.05
CWSA1611-261	ASSY,LEG ADJUSTMENT,BLUE	32.06
CWSA1611-271	ASSY,LEG ADJUSTMENT,CHARCOAL	32.07
CWSA1611-281	ASSY,LEG ADJUSTMENT,CATH GRY	32.08
CWSA1611-291	ASSY,LEG ADJUSTMENT,SILVER VIEN	32.09
CWSA1611-311	ASSY,LEG ADJUSTMENT,STONE HG	32.11
CWSA1611-321	ASSY,LEG ADJUSTMENT,TITANIUM HG	32.12
CWSA1611-331	ASSY,LEG ADJUSTMENT,WHITE GLOSS	32.13

CWSA1611-341	ASSY,LEG ADJUSTMENT,BLACK ONYX	32.14
CWSA1611-351	ASSY,LEG ADJUSTMENT,LIGHT BRONZE	32.15
CWSA1611-361	ASSY,LEG ADJUSTMENT,SAPPHIRE BLUE	32.16
CWHCYN050-100	SCREW,HEX HEAD,BLK XYLAN,1/2-13 X 1	33
CWHCYN050-150	SCREW, HEX HEAD, BLK XYLAN, 1/2-13	34
CWHCYN050-275	SCREW, HEX HEAD, BLK XYLAN, 1/2-13	35
CWRANN038-063	BOLT, SHOULDER, 3/8-16 X 1/2 X 5/8	36
CWKBEYN050-031	NUT, HEX, THIN, LEFT HAND THREAD,	37
CWKRYN050-031	NUT, HEX THIN, UNF, 1/2-20, BLK XYL	38
CWPF1980-731	T-HANDLE INSERT, BLK ZN	39
CWCLFA1064-741	ROD END, FEMALE, STEEL, ZINC, CAD,	40
CWTAYN031-150	SCREW, BUTTON HEAD, BLK XYLAN, 5/16	41
CWTAYN031-300	SCREW, BUTTON HEAD, BLK XYLAN, 5/16	42
CWTAYN050-100	SCREW, BUTTON HEAD, BLK XYLAN, 1/2	43
CWCAYN025-050	SCREW, SOCKET HEAD, BLK XYLAN	44
CWWBKN031-007	WASHER, FLAT, TYPE A, SAE, 5/16 ID	45
CWWBKN038-007	WASHER, FLAT, TYPE A, SAE, 3/8 ID	46
CWWBKN050-010	WASHER, FLAT, TYPE A, SAE, 1/2 ID X	47
CWWALYN031-008	WASHER, SPLIT, 5/16 ID, BL	48
CWWALYN038-009	WASHER, SPLIT, 3/8 ID, BLK XYLAN	49
CWWALYN050-013	WASHER, SPLIT, 1/2 ID, BLK XYLAN	50
CWCAYN038-275	SCREW, SOCKET HEAD, BLK XYLAN, 3/	51
CW31759-101	LABEL, SMALL PRECOR USA ICARIAN LIN	52
CW30074-101	LABEL,INSTRUCTION,FLT561	55
CW30013-204	CUT PIECE, CREPE, 1/4 THICK, 3.00 X	56
CWAC218-901	HANDLE END CAP W/SET SCREWS, DIA 1"	57
CWAC1177-101	FLOOR PROTECTOR, RUBBER, 4.563 X 4.	501
CWAC1178-101	FLOOR PROTECTOR, RUBBER, 2.563 X 6.	502
CWAC1181-101	FLOOR PROTECTOR, RUBBER, 4.563 X 4.	503